

PARTS LIST

[XV-S40BK/XV-S42SL/XV-S45GD/XV-S30BK]

* All printed circuit boards and its assemblies are not available as service parts.

<p>Area Suffix (XV-S40BK/XV-S30BK)</p> <p>J ----- U.S.A.</p> <p>C ----- Canada</p>
<p>Area Suffix (XV-S42SL)</p> <p>C ----- Canada</p>
<p>Area Suffix (XV-S45GD)</p> <p>J ----- U.S.A.</p>

- Contents -

Exploded view of general assembly and parts list 3-2

DVD Traverse mechanism assembly and parts list 3-5

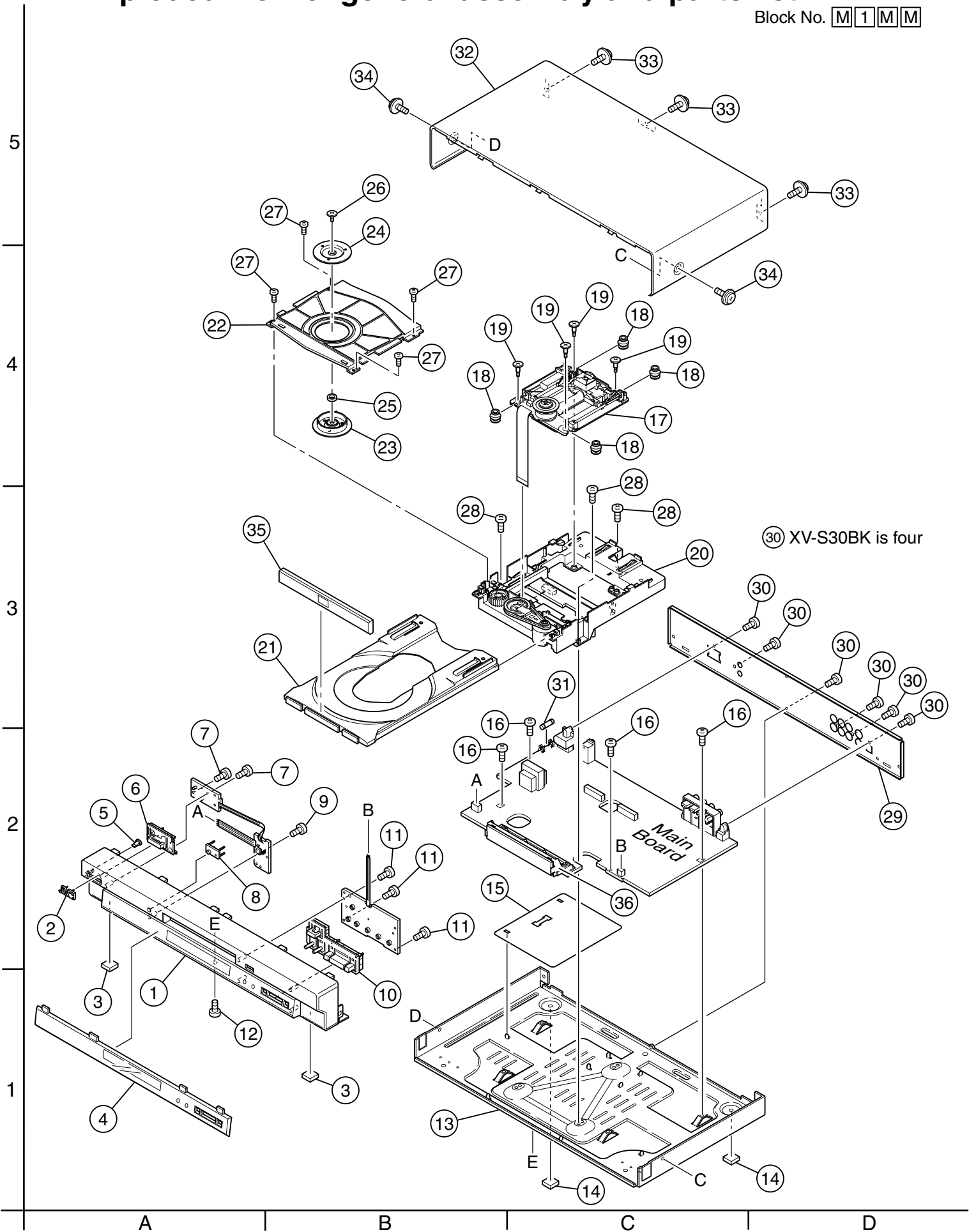
DVD Loading mechanism assembly and parts list 3-7

Electrical parts list 3-9

Packing materials and accessories parts list 3-16

Exploded view of general assembly and parts list

Block No. M1MM



■ Parts list (General assembly)

Block No. M1MM

△	Item	Parts number	Parts name	Q'ty	Description	Area
	1	LE10251-021A	FRONT PANEL	1		40C,40J
		LE10251-022A	FRONT PANEL	1		42C
		LE10251-023A	FRONT PANEL	1		45J
		LE10251-024A	FRONT PANEL	1		30C,30J
	2	VJD5429-001SS	JVC MARK	1		30C,30J,40C,40J,45J
		VJD5429-002SS	JVC MARK	1		42C
	3	E75896-001	FELT SPACER	2		
	4	LE30898-001A	WINDOW SCREEN	1		30C,30J
		LE20535-005A	WINDOW SCREEN	1		40C,40J,42C,45J
	5	LE30900-001A	INDICATOR	1		
	6	LE20537-001A	PUSH BUTTON	1		30C,30J,40C,40J
		LE20537-003A	PUSH BUTTON	1		45J
		LE20537-002A	PUSH BUTTON	1		42C
	7	QYSBSF2608Z	T.SCREW	2		
	8	LE30899-001A	REMOTE LENS	1		30C,30J,40C,40J
		LE30899-002A	REMOTE LENS	1		42C,45J
	9	QYSBSF2608Z	T.SCREW	1		
	10	LE20538-001A	PUSH BUTTON	1		30C,30J,40C,40J
		LE20538-002A	PUSH BUTTON	1		42C
		LE20538-003A	PUSH BUTTON	1		45J
	11	QYSBSF2608Z	T.SCREW	3		
	12	QYSDSG3008M	SCREW	1		30C,30J,40C,40J
		QYSDSG3008N	T.SCREW	1		42C,45J
	13	LE10250-001A	CHASSIS BASE	1		
	14	E75896-001	FELT SPACER	2		
	15	LE40768-002A	PROTECT SHEET	1		
	16	QYSBSGG3008E	T.SCREW	4		
	17	-----	TRAVERSE MECHANISM	1	See 3-5 page	
	18	LV41659-001A	INSULATOR	4		
	19	LV41424-001A	SPECIAL SCREW	4		
	20	-----	LAODING MECHANISM	1	See 3-7 page	
	21	LV10455-002A	TRAY	1		
	22	LV20913-002A	CLAMPER BASE	1		
	23	LV32417-001A	CLAMPER	1		
	24	LV42089-001A	YOKE	1		
	25	LV41118-003A	MAGNET	1		
	26	LV41741-001A	SPECIAL SCREW	1		
	27	QYSBSF2008Z	SCREW	4		
	28	QYSBSG3010E	T.SCREW	3		
	29	LE20542-025A	REAR PANEL	1		42C
		LE20542-028A	REAR PANEL	1		45J
		LE20542-023A	REAR PANEL	1		40C,40J
		LE20542-029A	REAR PANEL	1		30C,30J
	30	QYSBSGY3008M	SPECIAL SCREW	6		
△	31	QMF51U1-1R6-J8	FUSE	1		
	32	LE20541-003A/S/	METAL COVER	1		45J
		LE20541-001A/S/	METAL COVER	1		30C,30J,40C,40J
		LE20541-002A/S/	METAL COVER	1		42C

Explanation of area column

30J=XV-S30BK ver.J 30C=XV-S30BK ver.C
 40J=XV-S40BK ver.J 40C=XV-S40BK ver.C
 45J=XV-S45GD ver.J 42C=XV-S42SL ver.C

■ Parts list (General assembly)

Block No. M1MM

△	Item	Parts number	Parts name	Q'ty	Description	Area
	33	QYSBSGG3008E	T.SCREW	3		
	34	E406308-004	SPECIAL SCREW	2		42C,45J
		E406308-003	SPECIAL SCREW	2		30C,30J,40C,40J
	35	LE20536-002A	FITTING	1		42C
		LE20536-001A	FITTING	1		30C,30J,40C,40J
		LE20536-003A	FITTING	1		45J
	36	LE20540-001A	FL HOLDER	1		

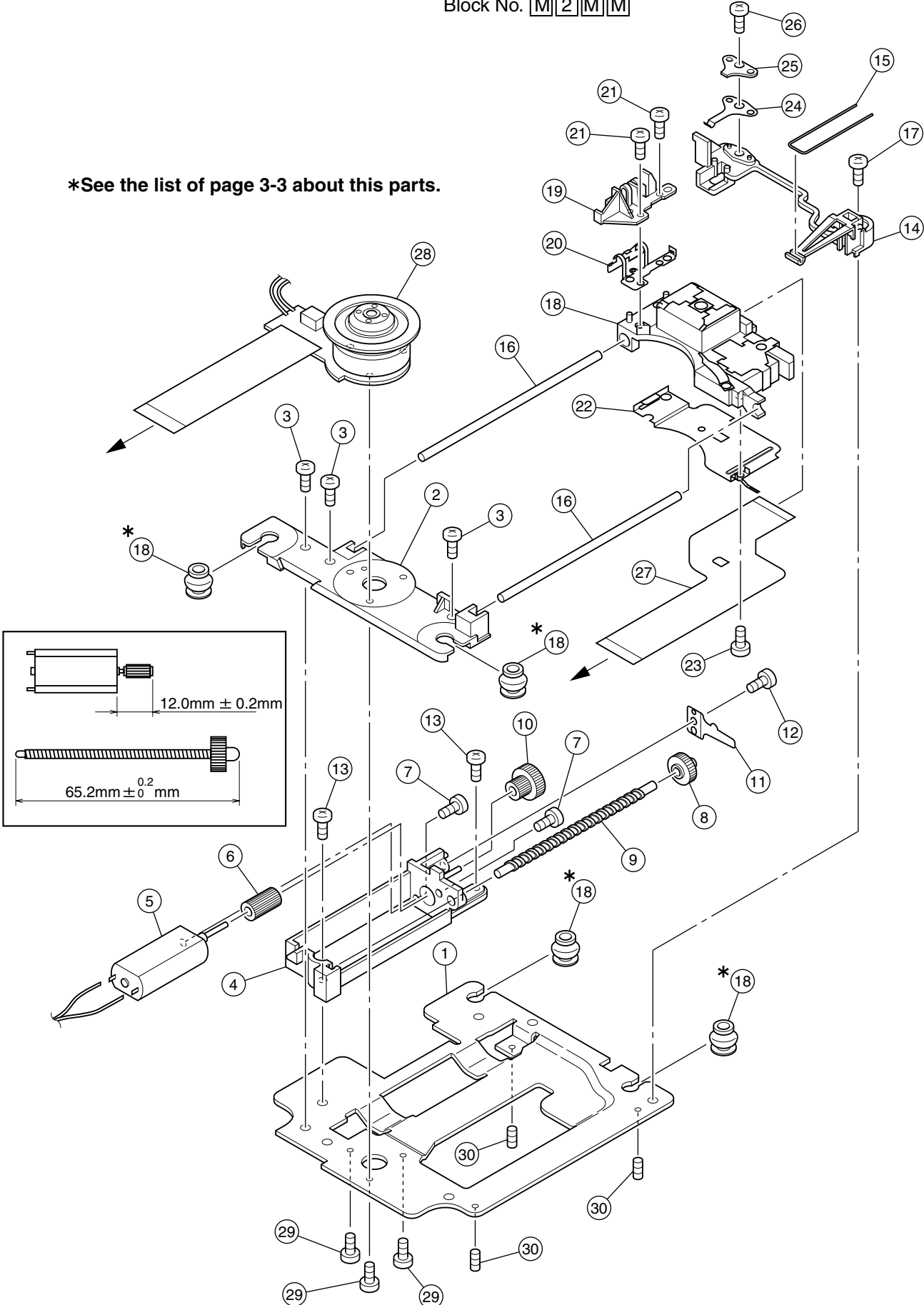
Explanation of area column

30J=XV-S30BK ver.J 30C=XV-S30BK ver.C
 40J=XV-S40BK ver.J 40C=XV-S40BK ver.C
 45J=XV-S45GD ver.J 42C=XV-S42SL ver.C

DVD Traverse mechanism assembly and parts list

Block No. **M 2 M M**

*See the list of page 3-3 about this parts.



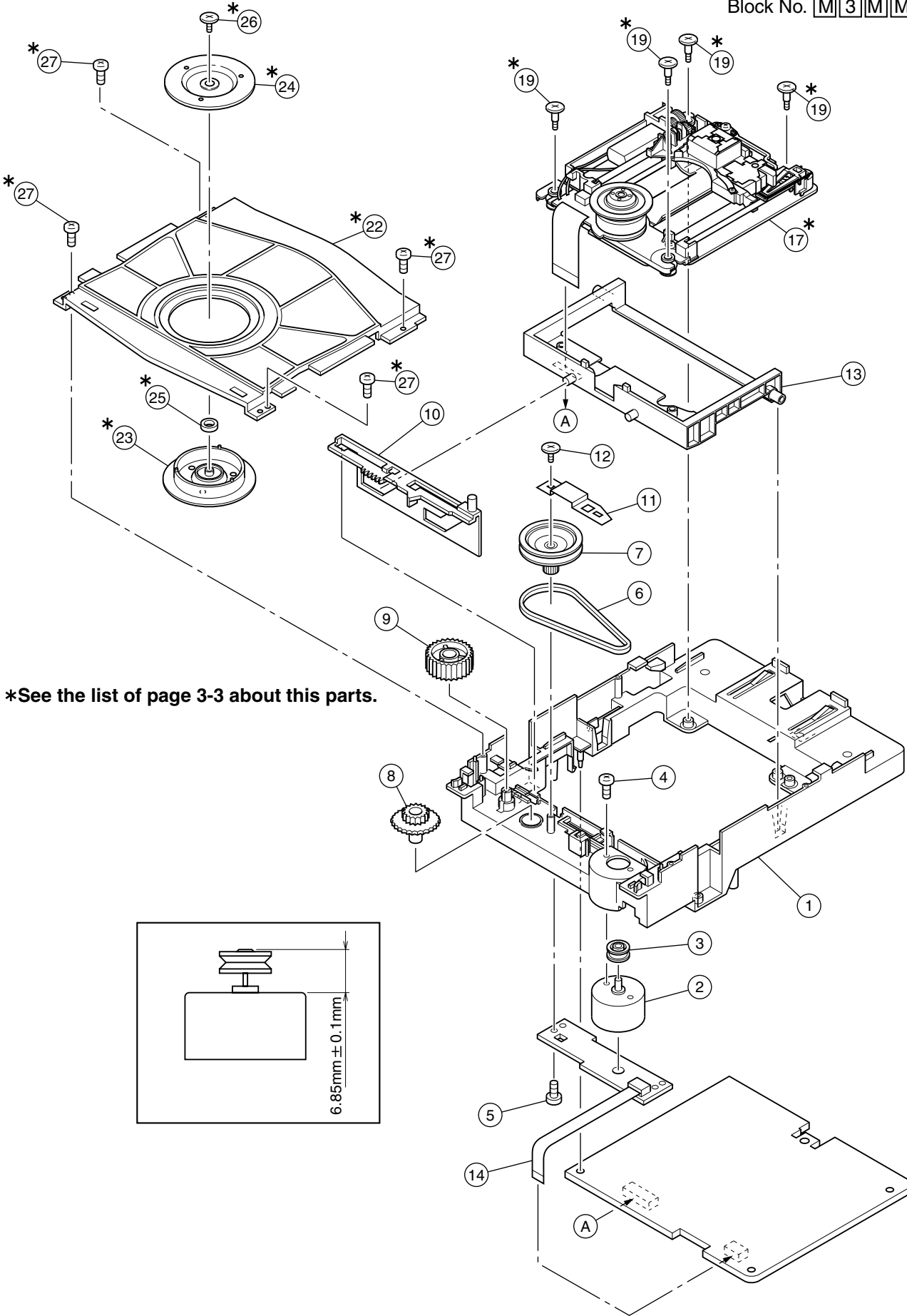
■ Parts list (DVD Traverse mechanism assembly)

Block No. M2MM

△	Item	Parts number	Parts name	Q'ty	Description	Area
	1	LE20520-001A	MECHA BASE	1		
	2	LE20516-001A	SPINDLE BASE	1		
	3	QYSDST2605M	TAPPING SCREW	3		
	4	LE30909-001A	HOLDER	1		
	5	QAR0165-001	FEED MOTOR	1		
	6	LV41510-001A	FEED GEAR	1		
	7	QYSPSPU2040M	SCREW	2		
	8	LV41512-001A	FEED GEAR	1		
	9	LV41517-001A	LEAD SCREW	1		
	10	LV41511-002A	FEED GEAR	1		
	11	LE40742-001A	TORSION SPRING	1		
	12	QYSDSF2005Z	SCREW	1		
	13	QYSDST2605M	TAPPING SCREW	2		
	14	LE20517-001A	HOLDER	1		
	15	LE40744-001A	SPRING	1		
	16	LV41121-002A	SLIDE SHAFT	2		
	17	QYSDST2605M	TAPPING SCREW	1		
	18	QAL0279-001	OPTICAL PICK-UP	1		
	19	LE20519-001A	ACTUATOR	1		
	20	LE30886-001A	SPRING	1		
	21	QYSPSPU1740Z	SCREW	2		
	22	LE30888-001A	SPRING	1		
	23	QYSPSPU1420Z	SCREW	1		
	24	LE40743-001A	SPRING	1		
	25	LE40774-001A	PLATE	1		
	26	QYSDST2606Z	SCREW	1		
	27	QAL0284-001	F.P.C.WIRE ASSY	1		
	28	QAR0162-001	DC MOTOR	1		
	29	QYSPSPU1760Z	SCREW	3		
	30	QYYASPF2608N	SCREW	3		

DVD Loading mechanism assembly and parts list

Block No. **M3MM**



■ Parts list (DVD Loading mechanism assembly)

Block No. M3MM

△	Item	Parts number	Parts name	Q'ty	Description	Area
	1	LV10454-005A	LOADING BASE	1		
	2	QAR0164-001	MOTOR	1		
	3	LV42087-001A	MOTOR PULLEY	1		
	4	QYSPSPU1730Z	SCREW	1		
	5	VKZ4777-003	MINI SCREW	1		
	6	LV42209-001A	BELT	1		
	7	LV42084-002A	PULLEYGEAR	1		
	8	LV42085-002A	MIDDLE GEAR	1		
	9	LV42086-001A	IDLE GEAR	1		
	10	LV32514-002A	SLIDE CAM	1		
	11	LV42348-001A	GEAR BRACKET	1		
	12	QYSBSF2006Z	SCREW	1		
	13	LV20912-002A	ELEVATOR	1		
	14	QUQ110-0610AJ	FFC WIRE	1		

■ Electrical parts list (Loading motor board)

Block No. 03

△	Item	Parts number	Parts name	Remarks	Area
	CN 1	QGF1016F3-06	CONNECTOR		
	S 1	QSW0910-002	SWITCH		
	S 2	QSW0910-002	SWITCH		

■ Electrical parts list (Main board)

Block No. 01

▲	Item	Parts number	Parts name	Remarks	Area	▲	Item	Parts number	Parts name	Remarks	Area
	BK801	LE20539-001A	FL HOLDER				C 913	NZZ000000000499	C CAPACITOR		
	C 601	NCS31HJ-471X	C CAPACITOR				C 914	QEMX1EM-396Z	E CAPACITOR	OR USE PARTS	
	C 603	NCS31HJ-221X	C CAPACITOR				C 915	NCB31HK-471X	C CAPACITOR		
	C 604	NCS31HJ-470X	C CAPACITOR			▲	C 916	NZZ000000000502	C CAPACITOR		
	C 609	QETN0JM-477Z	E CAPACITOR	470MF 20% 6.3V			C 917	NCB31CK-104X	C CAPACITOR		
	C 611	NCS31HJ-471X	C CAPACITOR				C 918	QCFB1HZ-104Y	C CAPACITOR	.10MF +80:-20%	
	C 613	NCS31HJ-221X	C CAPACITOR				C 931	NCB31CK-104X	C CAPACITOR		
	C 614	NCS31HJ-470X	C CAPACITOR				C 951	NCS31HJ-101X	C.CAPACITOR		
	C 619	QETN0JM-477Z	E CAPACITOR	470MF 20% 6.3V			C 952	NCS31HJ-101X	C.CAPACITOR		
	C 621	NCS31HJ-471X	C CAPACITOR				C 953	NCS31HJ-101X	C.CAPACITOR		
	C 623	NCS31HJ-221X	C CAPACITOR				C 954	NCS31HJ-101X	C.CAPACITOR		
	C 624	NCS31HJ-470X	C CAPACITOR				C 956	NCS31HJ-101X	C.CAPACITOR		
	C 629	QETN0JM-477Z	E CAPACITOR	470MF 20% 6.3V			C 957	NCS31HJ-101X	C.CAPACITOR		
	C 631	NCS31HJ-471X	C CAPACITOR				C 960	QEMX1AM-826Z	E CAPACITOR	OR USE PARTS	
	C 633	NCS31HJ-221X	C CAPACITOR				C 961	NCB31CK-104X	C CAPACITOR		
	C 634	NCS31HJ-470X	C CAPACITOR				C 962	QETN1HM-226Z	E CAPACITOR	22MF 20% 50V	
	C 639	NCB31CK-104X	C CAPACITOR				C 963	QEMX1HM-396Z	E CAPACITOR	OR USE PARTS	
	C 649	QETN0JM-477Z	E CAPACITOR	470MF 20% 6.3V			C 964	QETN1HM-226Z	E CAPACITOR	22MF 20% 50V	
	C 659	QETN0JM-477Z	E CAPACITOR	470MF 20% 6.3V			C 965	QEMW1AM-108	E CAPACITOR	OR USE PARTS	
	C 701	QETN1HM-105Z	E CAPACITOR	1.0MF 20% 50V			C 966	QETN1AM-477Z	E CAPACITOR	470MF 20% 10V	
	C 702	NCB31CK-104X	C CAPACITOR				C 967	NCB31CK-104X	C CAPACITOR		
	C 704	NCB31CK-104X	C CAPACITOR				C 968	NCB31CK-104X	C CAPACITOR		
	C 705	NCB31CK-104X	C CAPACITOR				C 969	QETN1AM-227Z	E CAPACITOR	220MF 20% 10V	
	C 706	NCB31CK-104X	C CAPACITOR				C 970	NCB31CK-104X	C CAPACITOR		
	C 707	QETN0JM-107Z	E CAPACITOR	100MF 20% 6.3V	*1		C 973	QETN1AM-107Z	E CAPACITOR	100MF 20% 10V	
	C 711	QCZ0205-155Z	ML C CAPACITOR	1.5MF			C 976	NCB31CK-104X	C CAPACITOR		
	C 714	QETN0JM-108Z	E CAPACITOR	1000MF 20% 6.3V			C 977	NCB31CK-104X	C CAPACITOR		
	C 709	NCS31HJ-331X	C CAPACITOR		*1		C 978	QETN1AM-107Z	E CAPACITOR	100MF 20% 10V	
	C 716	QETN0JM-108Z	E CAPACITOR	1000MF 20% 6.3V			C 979	QEMW1CM-827	E CAPACITOR	OR USE PARTS	
	C 713	NCS31HJ-471X	C CAPACITOR		*1		C 981	NCB31CK-104X	C CAPACITOR		
	C 717	QCZ0205-155Z	ML C CAPACITOR	1.5MF			C 982	QEMW1EM-567	E CAPACITOR	OR USE PARTS	
	C 718	QETN0JM-477Z	E CAPACITOR	470MF 20% 6.3V			C 984	QETN1EM-227Z	E CAPACITOR	220MF 20% 25V	
	C 728	QETN1AM-107Z	E CAPACITOR	100MF 20% 10V			C 985	QETN1CM-227Z	E CAPACITOR	220MF 20% 16V	
	C 730	QFV21HJ-224Z	MF CAPACITOR	.22MF 5% 50V			C 987	QEMX1EM-187Z	E CAPACITOR	OR USE PARTS	
	C 731	QFN31HJ-103Z	M CAPACITOR	.010MF 5% 50V			C 989	QETN1EM-107Z	E CAPACITOR	100MF 20% 25V	
	C 740	QFN41HJ-102	M CAPACITOR	1000PF 5% 50V			C 992	QETN1HM-474Z	E CAPACITOR	.47MF 20% 50V	
	C 741	QFN31HJ-221Z	M.CAPA. I.M	220PF 5% 50V			C 993	NCS31HJ-101X	C.CAPACITOR		
	C 742	QFN31HJ-333Z	M.CAPACITOR	.033MF 5% 50V			C 994	NCB31EK-223X	C CAPACITOR		
	C 736	NCB31CK-104X	C CAPACITOR		*1		C 995	QETN1CM-227Z	E CAPACITOR	220MF 20% 16V	
	C 744	QFN31HJ-681Z	M.CAPA. I.M	680PF 5% 50V			C 996	QETN1CM-226Z	E CAPACITOR	22MF 20% 16V	
	C 745	QFN31HJ-103Z	M CAPACITOR	.010MF 5% 50V			C 997	QETN1CM-227Z	E CAPACITOR	220MF 20% 16V	
	C 746	QETN1EM-226Z	E CAPACITOR	22MF 20% 25V			CN701	QGB2027M8-26	B TO B CONNECTO		
	C 747	QFN41HJ-222	M CAPACITOR	2200PF 5% 50V			CN702	QGD2501C1-05Z	SOCKET I.M		
	C 750	QFN41HJ-102	M CAPACITOR	1000PF 5% 50V			CN703	QGD2501C1-03Z	SOCKET		
	C 751	QFN31HJ-221Z	M.CAPA. I.M	220PF 5% 50V			CN961	QGB2027M8-26	B TO B CONNECTO		
	C 752	QFN31HJ-333Z	M.CAPACITOR	.033MF 5% 50V		▲	CP951	ICP-N10-T	ICP		
	C 754	QFN31HJ-681Z	M.CAPA. I.M	680PF 5% 50V		▲	CP952	ICP-N5-T	ICP		
	C 755	QFN31HJ-103Z	M CAPACITOR	.010MF 5% 50V			C1701	QETN1EM-476Z	E CAPACITOR	47MF 20% 25V	
	C 756	QETN1EM-226Z	E CAPACITOR	22MF 20% 25V			C1702	QETN1EM-476Z	E CAPACITOR	47MF 20% 25V	
	C 757	QFN41HJ-222	M CAPACITOR	2200PF 5% 50V			C1703	NCS31HJ-151X	C CAPACITOR		
	C 761	QETN1CM-107Z	E CAPACITOR	100MF 20% 16V			C1704	NCS31HJ-221X	C CAPACITOR		
	C 762	QETN1CM-107Z	E CAPACITOR	100MF 20% 16V			D 609	1SS133-T2	SI DIODE		
	C 771	QETN1CM-107Z	E CAPACITOR	100MF 20% 16V			D 619	1SS133-T2	SI DIODE		
	C 772	QETN1CM-107Z	E CAPACITOR	100MF 20% 16V			D 629	1SS133-T2	SI DIODE		
	C 797	NCB31HK-152X	C CAPACITOR				D 639	1SS133-T2	SI DIODE		
	C 801	NCB31CK-104X	C CAPACITOR				D 701	1SS133-T2	SI DIODE		
	C 802	QEK1AM-476Z	E.CAPACITOR	47MF 20% 10V			D 702	MTZJ3.3B-T2	ZENER DIODE IM		
	C 821	QEK1HM-475Z	E.CAPACITOR	4.7MF 20% 50V			D 791	1SS133-T2	SI DIODE		
▲	C 902	QFZ9040-683	M CAPACITOR	.068MF			D 792	1SS133-T2	SI DIODE		
▲	C 906	NZZ000000000501	C CAPACITOR				D 801	SLR-342VC-T	LED	STANDBY	
▲	C 907	QETM2DM-157	E CAPACITOR	150MF 20%			D 901	S1WB/A/60-4101	BRIDGE DIODE		
	C 908	NZZ000000000500	C CAPACITOR				D 709	1SS133-T2	SI DIODE		*1
	C 909	NZZ000000000499	C CAPACITOR			▲	D 902	F1T4-T2	FR DIODE		
	C 910	NCS31HJ-221X	C CAPACITOR			▲	D 903	F1T4-T2	FR DIODE		

*1 : except XV-S30BK

■ Electrical parts list (Main board)

Block No. 01

△	Item	Parts number	Parts name	Remarks	Area
△	D 904	F1T4-T2	FR DIODE		
△	D 908	F1T4-T2	FR DIODE		
△	D 910	F1T4-T2	FR DIODE		
	D 911	1SS133-T2	SI DIODE		
	D 950	MTZJ36C-T2	Z.DIODE I.M		
△	D 951	F1T4-T2	FR DIODE		
△	D 952	F1T4-T2	FR DIODE		
△	D 953	FMB-24	FUSEIODE		
△	D 954	F1T4-T2	FR DIODE		
△	D 956	F1T4-T2	FR DIODE		
△	D 957	F1T4-T2	FR DIODE		
	D 960	MTZJ4.7B-T2	Z DIODE I M		
	D 970	1SS133-T2	SI DIODE		
	D 972	1SS133-T2	SI DIODE		
	D 973	1SS133-T2	SI DIODE		
	D 974	1SS133-T2	SI DIODE		
	D 991	MTZJ5.1C-T2	ZENER DIODE		
	DI801	QLF0085-001	FL TUBE		
	EP711	QNZ0136-001Z	EARTH PLATE		
	EP951	QNZ0136-001Z	EARTH PLATE		
	FC901	QNG0003-001Z	FUSE CLIP		
	FC902	QNG0003-001Z	FUSE CLIP		
	IC701	MN101C35DGD	IC	SYSTEM MICOM	
	IC702	IC-PST9140-T	IC		
	IC703	MN35505	IC		
	IC704	TC7S08F-W	IC		
	IC741	NJM4580M-X	IC		
	IC751	NJM4580M-X	IC		
	IC801	GP1U271X	RM RECIVER		
△	IC901	STR-G6651	IC		
	IC951	PQ05RD21	IC		
△	IC953	NJM78M05FA	IC		
	J 601	QNN0387-001	PIN JACK	COMPONENT	
	K 701	NQR0227-004X	FERRITE BEADS		
	K 702	NRSA63J-100X	MG RESISTOR		
	K 703	NQR0227-004X	FERRITE BEADS		
	K 704	NQR0227-004X	FERRITE BEADS		
	K 705	NQR0227-004X	FERRITE BEADS		
	J 702	QNS0089-001	3.5 JACK	AV COMPULINK	*1
	K 706	NQR0227-004X	FERRITE BEADS		
	J 703	QNZ0487-001	OPT TRANSMITTER	OPT DIGITAL OUT	*1
	K 708	NQR0227-004X	FERRITE BEADS		
	K 902	QQR1183-001Z	F.BEADS I.M		
	L 601	QQL231K-5R6Y	INDUCTOR I.M		
	L 602	QQL231K-2R2Y	INDUCTOR I.M		
	L 611	QQL231K-5R6Y	INDUCTOR I.M		
	L 612	QQL231K-2R2Y	INDUCTOR I.M		
	L 621	QQL231K-5R6Y	INDUCTOR I.M		
	L 622	QQL231K-2R2Y	INDUCTOR I.M		
	L 631	QQL231K-5R6Y	INDUCTOR I.M		
	L 632	QQL231K-2R2Y	INDUCTOR I.M		
△	L 901	QQR1105-001	LINE FILTER		
	L 951	QQL244K-R22Z	INDUCTOR		
	L 952	QQL26AK-220Z	INDUCTOR		
	L 955	QQL26AK-220Z	INDUCTOR		
	L 957	QQL244K-100Z	INDUCTOR		
	L 959	QQL244K-100Z	INDUCTOR		
	P 901	QNC0082-001	AC INLET		
	L 709	QQL231K-2R2Y	INDUCTOR I.M		*1
△	PC901	PC123Y02	IC(PHOTO COUPLE		
△	PC902	PC123Y02	IC(PHOTO COUPLE		
	Q 601	KTA1267/G/-T	TR I/M		
	Q 611	KTA1267/G/-T	TR I/M		
	Q 621	KTA1267/G/-T	TR I/M		

△	Item	Parts number	Parts name	Remarks	Area
	Q 631	KTA1267/G/-T	TR I/M		
	Q 743	2SD2144S/VW/-T	TRANSISTOR	AMUTE1	
	Q 753	2SD2144S/VW/-T	TRANSISTOR	AMUTE1	
	Q 791	KRA102S-X	DIGITAL.TR		
	Q 951	KTD863/Y/-T	TRANSISTOR		
	Q 952	KRA104S-X	DIGITAL.TR		
	Q 953	KTA1267/G/-T	TR I/M		
△	Q 964	2SB1184/QR/-X	TRANSISTOR		
	Q 965	KTC3199/Y/-T	TR I/M		
	Q 709	KRC107S-X	DIGITAL.TR		*1
	Q 966	KTA1267/G/-T	TR I/M		
	Q 991	KTC3199/Y/-T	TR I/M		
	R 601	NRSA63J-151X	MG RESISTOR		
	R 602	NRSA63J-0R0X	MG RESISTOR		
	R 603	NRSA63J-151X	MG RESISTOR		
	R 604	NRSA63J-0R0X	MG RESISTOR		
	R 605	NRSA63J-221X	MG RESISTOR		
	R 606	QRE141J-561Y	C RESISTOR	560 5% 1/4W	
	R 609	NRSA63J-820X	MG RESISTOR		
	R 611	NRSA63J-151X	MG RESISTOR		
	R 612	NRSA63J-0R0X	MG RESISTOR		
	R 613	NRSA63J-151X	MG RESISTOR		
	R 614	NRSA63J-0R0X	MG RESISTOR		
	R 615	NRSA63J-221X	MG RESISTOR		
	R 616	QRE141J-561Y	C RESISTOR	560 5% 1/4W	
	R 619	NRSA63J-820X	MG RESISTOR		
	R 621	NRSA63J-151X	MG RESISTOR		
	R 622	NRSA63J-0R0X	MG RESISTOR		
	R 623	NRSA63J-151X	MG RESISTOR		
	R 624	NRSA63J-0R0X	MG RESISTOR		
	R 625	NRSA63J-221X	MG RESISTOR		
	R 629	NRSA63J-680X	MG RESISTOR		
	R 631	NRSA63J-151X	MG RESISTOR		
	R 632	NRSA63J-0R0X	MG RESISTOR		
	R 633	NRSA63J-151X	MG RESISTOR		
	R 634	NRSA63J-0R0X	MG RESISTOR		
	R 635	NRSA63J-221X	MG RESISTOR		
	R 636	QRE141J-561Y	C RESISTOR	560 5% 1/4W	
	R 639	NRSA63J-680X	MG RESISTOR		
	R 649	NRSA63J-680X	MG RESISTOR		
	R 650	QRE141J-561Y	C RESISTOR	560 5% 1/4W	
	R 659	NRSA63J-680X	MG RESISTOR		
	R 701	NRSA63J-102X	MG RESISTOR		
	R 702	NRSA63J-472X	MG RESISTOR		
	R 703	NRSA63J-105X	MG RESISTOR		
	R 704	NRSA63J-102X	MG RESISTOR		
	R 709	NRSA63J-103X	MG RESISTOR		
	R 711	NRSA63J-100X	MG RESISTOR		
	R 713	NRSA63J-470X	MG RESISTOR		
	R 715	NRSA63J-470X	MG RESISTOR		
	R 717	NRSA63J-100X	MG RESISTOR		
	R 721	NRSA63J-471X	MG RESISTOR		
	R 723	NRSA63J-471X	MG RESISTOR		
	R 724	NRSA63J-471X	MG RESISTOR		
	R 725	NRSA63J-471X	MG RESISTOR		
	R 728	NRSA63J-471X	MG RESISTOR		
	R 705	NRSA63J-2R2X	MG RESISTOR		*1
	R 706	NRSA63J-104X	MG RESISTOR		*1
	R 729	NRSA63J-471X	MG RESISTOR		
	R 708	NRSA63J-101X	MG RESISTOR		*1
	R 731	NRSA63J-332X	MG RESISTOR		
	R 740	QRE141J-273Y	C RESISTOR	27K 5% 1/4W	
	R 741	QRE141J-273Y	C RESISTOR	27K 5% 1/4W	
	R 742	QRE141J-183Y	C RESISTOR	18K 5% 1/4W	

*1 : except XV-S30BK

■ Electrical parts list (Main board)

Block No. 01

△	Item	Parts number	Parts name	Remarks	Area
	R 743	QRE141J-183Y	C RESISTOR	18K 5% 1/4W	
	R 744	NRSA63J-362X	MG RESISTOR		
	R 745	QRE141J-183Y	C RESISTOR	18K 5% 1/4W	
	R 746	NRSA63J-332X	MG RESISTOR		
	R 747	NRSA63J-362X	MG RESISTOR		
	R 748	NRSA63J-112X	MG RESISTOR		
	R 750	QRE141J-273Y	C RESISTOR	27K 5% 1/4W	
	R 751	QRE141J-273Y	C RESISTOR	27K 5% 1/4W	
	R 752	QRE141J-183Y	C RESISTOR	18K 5% 1/4W	
	R 753	QRE141J-183Y	C RESISTOR	18K 5% 1/4W	
	R 754	NRSA63J-362X	MG RESISTOR		
	R 755	QRE141J-183Y	C RESISTOR	18K 5% 1/4W	
	R 756	NRSA63J-332X	MG RESISTOR		
	R 757	NRSA63J-362X	MG RESISTOR		
	R 758	NRSA63J-112X	MG RESISTOR		
	R 761	NRSA63J-112X	MG RESISTOR		
	R 762	NRSA63J-681X	MG RESISTOR		
	R 763	NRSA63J-362X	MG RESISTOR		
	R 764	NRSA63J-183X	MG RESISTOR		
	R 765	NRSA63J-561X	MG RESISTOR		
	R 766	NRSA63J-273X	MG RESISTOR		
	R 767	NRSA63J-101X	MG RESISTOR		
	R 768	NRSA63J-103X	MG RESISTOR		
	R 771	NRSA63J-112X	MG RESISTOR		
	R 772	NRSA63J-681X	MG RESISTOR		
	R 773	NRSA63J-362X	MG RESISTOR		
	R 774	NRSA63J-183X	MG RESISTOR		
	R 775	NRSA63J-561X	MG RESISTOR		
	R 776	NRSA63J-273X	MG RESISTOR		
	R 777	NRSA63J-101X	MG RESISTOR		
	R 778	NRSA63J-103X	MG RESISTOR		
	R 782	NRSA63J-221X	MG RESISTOR		
	R 783	NRSA63J-221X	MG RESISTOR		
	R 786	NRSA63J-333X	MG RESISTOR		
	R 789	NRSA63J-0R0X	MG RESISTOR		
	R 792	NRSA63J-221X	MG RESISTOR		
	R 793	NRSA63J-221X	MG RESISTOR		
	R 797	NRSA63J-473X	MG RESISTOR		
	R 801	NRSA63J-331X	MG RESISTOR		
	R 845	NRSA63J-431X	MG RESISTOR		
	R 846	NRSA63J-681X	MG RESISTOR		
	R 847	NRSA63J-112X	MG RESISTOR		
	R 848	NRSA63J-222X	MG RESISTOR		
	R 900	NRSA63J-221X	MG RESISTOR		
	R 901	QRL01DJ-683X	OMF RESISTOR	68K 5% 1/1W	
	R 903	QRE141J-270Y	C RESISTOR	27 5% 1/4W	
	R 904	QRE141J-222Y	C RESISTOR	2.2K 5% 1/4W	
	R 905	QRL027J-683	OMF RESISTOR	68K 5% 1/2W	
	R 906	QRE141J-681Y	C RESISTOR	680 5% 1/4W	
	R 907	QRT022J-R47	OMF RESISTOR	5% 1/2W	
	R 908	QRE141J-332Y	C RESISTOR	3.3K 5% 1/4W	
	R 910	QRE141J-754Y	C RESISTOR	750K 5% 1/4W	
	R 911	QRE141J-754Y	C RESISTOR	750K 5% 1/4W	
	R 952	NRSA63J-103X	MG RESISTOR		
	R 953	QRE141J-103Y	C RESISTOR	10K 5% 1/4W	
△	R 954	QRZ9005-100X	F.RES I/M	10 1/0W	
	R 955	NRSA63J-223X	MG RESISTOR		
	R 956	QRE141J-120Y	C RESISTOR	12 5% 1/4W	
	R 960	QRE141J-101Y	C RESISTOR	100 5% 1/4W	
	R 961	NRSA63J-681X	MG RESISTOR		
	R 962	NRSA63J-105X	MG RESISTOR		
	R 963	NRSA63J-101X	MG RESISTOR		

△	Item	Parts number	Parts name	Remarks	Area
	R 964	NRSA63J-105X	MG RESISTOR		
	R 965	NRSA63J-103X	MG RESISTOR		
	R 969	NRSA63J-221X	MG RESISTOR		
	R 971	NRSA63J-392X	MG RESISTOR		
	R 972	NRSA63J-122X	MG RESISTOR		
	R 973	NRSA63J-102X	MG RESISTOR		
	R 974	NRSA63J-562X	MG RESISTOR		
	R 975	NRSA63J-562X	MG RESISTOR		
	R 976	QRE141J-221Y	C RESISTOR	220 5% 1/4W	
	R 980	QRE141J-152Y	C RESISTOR	1.5K 5% 1/4W	
	R1704	NRSA63J-102X	MG RESISTOR		
	R1707	NRSA63J-222X	MG RESISTOR		
	R1708	NRSA63J-222X	MG RESISTOR		
	R1709	NRSA63J-102X	MG RESISTOR		
	R1710	NRSA63J-102X	MG RESISTOR		
	R1713	NRSA63J-101X	MG RESISTOR		
	R1714	NRSA63J-472X	MG RESISTOR		
	R1715	NRSA63J-103X	MG RESISTOR		
	R1716	NRSA63J-102X	MG RESISTOR		
	R1721	NRSA63J-331X	MG RESISTOR		
	R1722	NRSA63J-750X	MG RESISTOR		
	R1723	NRSA63J-270X	MG RESISTOR		
	R1725	NRSA63J-102X	MG RESISTOR		
	R1727	NRSA63J-0R0X	MG RESISTOR		
	R1728	NRSA63J-222X	MG RESISTOR		
	R1729	NRSA63J-222X	MG RESISTOR		
	R1730	QRE141J-103Y	C RESISTOR	10K 5% 1/4W	
	R1732	QRE141J-100Y	C RESISTOR	10 5% 1/4W	
	S 801	QSW0651-001Z	TACT SWITCH		
	S 821	QSW0651-001Z	TACT SWITCH		
	S 831	QSW0651-001Z	TACT SWITCH		
	S 832	QSW0651-001Z	TACT SWITCH		
	S 833	QSW0651-001Z	TACT SWITCH		
	S 834	QSW0651-001Z	TACT SWITCH		
	S 835	QSW0651-001Z	TACT SWITCH		
	R1724	NRSA63J-101X	MG RESISTOR	TO C708	*1
	T 701	QQR1185-001	PULSE TRANS		
△	T 901	QQS0100-001	SW TRANSF		
	X 701	QAX0667-001Z	RESONATOR I.M		

*1 : except XV-S30BK

■ Electrical parts list (DVD Servo control board)

Block No. 02

△	Item	Parts number	Parts name	Remarks	Area
	C 1	NCB31CK-104X	C CAPACITOR		
	C 2	NEA70JM-226X	E CAPACITOR		
	C 3	NEA70JM-226X	E CAPACITOR		
	C 4	NCB31CK-104X	C CAPACITOR		
	C 5	NEA70JM-226X	E CAPACITOR		
	C 6	NCB31CK-104X	C CAPACITOR		
	C 11	NEA70JM-107X	E.CAPACITOR		
	C 12	NCB31CK-104X	C CAPACITOR		
	C 15	NCB31CK-104X	C CAPACITOR		
	C 16	NEA70GM-336X	E CAPACITOR		
	C 17	NCB31CK-104X	C CAPACITOR		
	C 101	NCB31CK-104X	C CAPACITOR		
	C 104	NCB31CK-104X	C CAPACITOR		
	C 105	NEA70JM-476X	E.CAPACITOR		
	C 106	NEA70JM-476X	E.CAPACITOR		
	C 107	NCB31CK-104X	C CAPACITOR		
	C 108	NCB31CK-104X	C CAPACITOR		
	C 109	NCB31CK-104X	C CAPACITOR		
	C 118	NCB21CK-154X	C.CAPA. C.M		
	C 119	NCS31HJ-221X	C CAPACITOR		
	C 120	NCS31HJ-820X	C CAPACITOR		
	C 121	NCS31HJ-220X	C CAPACITOR		
	C 122	NCB31HK-181X	C CAPACITOR		
	C 123	NCB31CK-104X	C CAPACITOR		
	C 124	NCB31CK-104X	C CAPACITOR		
	C 125	NCB31CK-104X	C CAPACITOR		
	C 126	NEX40JM-566X	E CAPACITOR		
	C 127	NCB31HK-102X	C CAPACITOR		
	C 128	NCB31CK-104X	C CAPACITOR		
	C 130	NCB31CK-104X	C CAPACITOR		
	C 131	NCS31HJ-120X	C CAPACITOR		
	C 132	NCB31CK-104X	C CAPACITOR		
	C 133	NCB31HK-561X	C CAPACITOR		
	C 134	NCB31HK-561X	C CAPACITOR		
	C 135	NCB31CK-273X	C CAPACITOR		
	C 136	NCB31CK-473X	C CAPACITOR		
	C 138	NCB31CK-104X	C CAPACITOR		
	C 139	NCB31CK-104X	C CAPACITOR		
	C 140	NEA70JM-226X	E CAPACITOR		
	C 141	NCB31CK-104X	C CAPACITOR		
	C 143	NCB31CK-104X	C CAPACITOR		
	C 144	NCB31CK-104X	C CAPACITOR		
	C 145	NCB31CK-103X	C CAPACITOR		
	C 151	NEA70JM-226X	E CAPACITOR		
	C 152	NEX40JM-156X	E.CAPACITOR		
	C 159	NCB31CK-104X	C CAPACITOR		
	C 160	NCB31CK-104X	C CAPACITOR		
	C 161	NEA70GM-336X	E CAPACITOR		
	C 201	NCB11CK-474X	C.CAPA. C.M		
	C 202	NCB31HK-561X	C CAPACITOR		
	C 203	NCB31HK-561X	C CAPACITOR		
	C 204	NCB31HK-331X	C CAPACITOR		
	C 205	NCS31HJ-121X	C CAPACITOR		
	C 206	NCS31HJ-271X	C CAPACITOR		
	C 207	NCB31HK-471X	C CAPACITOR		
	C 208	NCB31CK-104X	C CAPACITOR		
	C 209	NCB31HK-102X	C CAPACITOR		
	C 210	NCB31HK-102X	C CAPACITOR		
	C 212	NCB31CK-104X	C CAPACITOR		
	C 213	NCB31CK-104X	C CAPACITOR		
	C 214	NCB31CK-104X	C CAPACITOR		
	C 215	NEA70JM-336X	E CAPACITOR		
	C 216	NCB11CK-105X	C CAPACITOR		
	C 217	NEA70JM-107X	E.CAPACITOR		

△	Item	Parts number	Parts name	Remarks	Area
	C 218	NCB31CK-104X	C CAPACITOR		
	C 219	NEA70JM-107X	E.CAPACITOR		
	C 220	NCB11CK-105X	C CAPACITOR		
	C 221	NCB31HK-561X	C CAPACITOR		
	C 222	NCB31CK-104X	C CAPACITOR		
	C 223	NCB31CK-104X	C CAPACITOR		
	C 224	NCB31CK-104X	C CAPACITOR		
	C 225	NBE91CM-105X	E CAPACITOR		
	C 227	NCB31HK-102X	C CAPACITOR		
	C 228	NCB31HK-102X	C CAPACITOR		
	C 229	NCB31CK-104X	C CAPACITOR		
	C 231	NCB31EK-562X	C CAPACITOR		
	C 232	NCB31HK-102X	C CAPACITOR		
	C 233	NCB31CK-104X	C CAPACITOR		
	C 237	NCB31CK-104X	C CAPACITOR		
	C 238	NCB31CK-104X	C CAPACITOR		
	C 239	NCB31CK-183X	C CAPACITOR		
	C 240	NCS31HJ-470X	C CAPACITOR		
	C 241	NCB31CK-103X	C CAPACITOR		
	C 242	NCB11CK-105X	C CAPACITOR		
	C 244	NCB31CK-104X	C CAPACITOR		
	C 245	NCB31CK-103X	C CAPACITOR		
	C 246	NCB31CK-104X	C CAPACITOR		
	C 247	NCB31CK-104X	C CAPACITOR		
	C 248	NCB21CK-154X	C.CAPA. C.M		
	C 249	NCB31CK-104X	C CAPACITOR		
	C 251	NCB31CK-104X	C CAPACITOR		
	C 252	NEA71CM-226X	E.CAPAP. C.M		
	C 253	NCB31CK-104X	C CAPACITOR		
	C 254	NEA70JM-226X	E CAPACITOR		
	C 255	NCB31HK-223X	C CAPACITOR		
	C 256	NCB31CK-104X	C CAPACITOR		
	C 257	NCB31CK-103X	C CAPACITOR		
	C 258	NCB31CK-103X	C CAPACITOR		
	C 259	NCB31CK-103X	C CAPACITOR		
	C 260	NCB31CK-104X	C CAPACITOR		
	C 261	NCB31CK-104X	C CAPACITOR		
	C 262	NCB31CK-104X	C CAPACITOR		
	C 263	NCB31CK-104X	C CAPACITOR		
	C 264	NCB31CK-103X	C CAPACITOR		
	C 271	NEA70JM-226X	E CAPACITOR		
	C 273	NCB31CK-104X	C CAPACITOR		
	C 274	NCB31CK-104X	C CAPACITOR		
	C 275	NCB31HK-271X	C CAPACITOR		
	C 277	NCB31HK-102X	C CAPACITOR		
	C 278	NCB31HK-102X	C CAPACITOR		
	C 281	NCB31HK-223X	C CAPACITOR		
	C 282	NCB31CK-103X	C CAPACITOR		
	C 286	NEA71HM-105X	E.CAPA. C.M.		
	C 287	NCB31CK-104X	C CAPACITOR		
	C 288	NEA71HM-105X	E.CAPA. C.M.		
	C 301	NCB31CK-104X	C CAPACITOR		
	C 302	NCB31CK-104X	C CAPACITOR		
	C 303	NCB31CK-104X	C CAPACITOR		
	C 304	NCB31CK-104X	C CAPACITOR		
	C 305	NCB31CK-104X	C CAPACITOR		
	C 306	NCB31CK-104X	C CAPACITOR		
	C 307	NCB31CK-104X	C CAPACITOR		
	C 309	NCB31CK-104X	C CAPACITOR		
	C 310	NCB31CK-104X	C CAPACITOR		
	C 311	NCB31CK-104X	C CAPACITOR		
	C 312	NCS31HJ-180X	C CAPACITOR		
	C 313	NCS31HJ-180X	C CAPACITOR		
	C 314	NCB31CK-104X	C CAPACITOR		

■ Electrical parts list (DVD Servo control board)

Block No. 02

△	Item	Parts number	Parts name	Remarks	Area
	C 315	NCB31CK-104X	C CAPACITOR		
	C 316	NEA70GM-107X	E CAPACITOR		
	C 317	NCB11CK-105X	C CAPACITOR		
	C 318	NCB31CK-104X	C CAPACITOR		
	C 319	NCB31CK-104X	C CAPACITOR		
	C 320	NCB31CK-104X	C CAPACITOR		
	C 321	NCB31CK-104X	C CAPACITOR		
	C 324	NCB31CK-104X	C CAPACITOR		
	C 326	NCB31CK-104X	C CAPACITOR		
	C 327	NEA70GM-107X	E CAPACITOR		
	C 341	NCB31CK-104X	C CAPACITOR		
	C 342	NCB31CK-104X	C CAPACITOR		
	C 343	NCB31CK-104X	C CAPACITOR		
	C 344	NCB31CK-104X	C CAPACITOR		
	C 345	NEA70JM-107X	E.CAPACITOR		
	C 346	NCB11CK-105X	C CAPACITOR		
	C 401	NCB31CK-104X	C CAPACITOR		
	C 402	NCB31CK-104X	C CAPACITOR		
	C 405	NCB31CK-104X	C CAPACITOR		
	C 406	NCB31CK-104X	C CAPACITOR		
	C 407	NCB31CK-104X	C CAPACITOR		
	C 408	NEA70JM-226X	E CAPACITOR		
	C 409	NCB31CK-104X	C CAPACITOR		
	C 410	NCB31CK-104X	C CAPACITOR		
	C 411	NCB31CK-104X	C CAPACITOR		
	C 412	NCB31CK-104X	C CAPACITOR		
	C 501	NCB31CK-104X	C CAPACITOR		
	C 502	NCB31CK-104X	C CAPACITOR		
	C 503	NCB31CK-104X	C CAPACITOR		
	C 504	NCB31CK-104X	C CAPACITOR		
	C 505	NCB31CK-104X	C CAPACITOR		
	C 506	NCB31CK-104X	C CAPACITOR		
	C 507	NCB31CK-104X	C CAPACITOR		
	C 508	NCB31CK-104X	C CAPACITOR		
	C 509	NCB31CK-104X	C CAPACITOR		
	C 510	NCB31CK-104X	C CAPACITOR		
	C 511	NCB31CK-104X	C CAPACITOR		
	C 512	NCB31CK-104X	C CAPACITOR		
	C 513	NCB31CK-104X	C CAPACITOR		
	C 514	NCB31CK-104X	C CAPACITOR		
	C 515	NCB31CK-104X	C CAPACITOR		
	C 516	NCB31CK-104X	C CAPACITOR		
	C 517	NCB31CK-104X	C CAPACITOR		
	C 518	NCB31CK-104X	C CAPACITOR		
	C 519	NCB31CK-104X	C CAPACITOR		
	C 520	NCB31CK-104X	C CAPACITOR		
	C 521	NCB31CK-104X	C CAPACITOR		
	C 522	NCB31CK-104X	C CAPACITOR		
	C 523	NCB31CK-104X	C CAPACITOR		
	C 524	NCB31CK-104X	C CAPACITOR		
	C 525	NCB31CK-104X	C CAPACITOR		
	C 526	NCB31CK-104X	C CAPACITOR		
	C 527	NCB31CK-104X	C CAPACITOR		
	C 528	NCB31CK-104X	C CAPACITOR		
	C 529	NCB31CK-104X	C CAPACITOR		
	C 530	NEA70JM-107X	E.CAPACITOR		
	C 531	NCB31CK-104X	C CAPACITOR		
	C 532	NCB31CK-104X	C CAPACITOR		
	C 533	NCB31CK-104X	C CAPACITOR		
	C 534	NEA70JM-107X	E.CAPACITOR		
	C 535	NCB31CK-104X	C CAPACITOR		
	C 536	NCB31CK-103X	C CAPACITOR		
	C 537	NEA70JM-226X	E CAPACITOR		
	C 538	NCB31CK-104X	C CAPACITOR		

△	Item	Parts number	Parts name	Remarks	Area
	C 539	NCB31CK-104X	C CAPACITOR		
	C 540	NEA70JM-226X	E CAPACITOR		
	C 541	NCB31CK-104X	C CAPACITOR		
	C 542	NEA70JM-226X	E CAPACITOR		
	C 543	NCB31CK-104X	C CAPACITOR		
	C 544	NCB31CK-104X	C CAPACITOR		
	C 547	NCB31CK-104X	C CAPACITOR		
	C 556	NEA70JM-107X	E.CAPACITOR		
	C 557	NCB31CK-104X	C CAPACITOR		
	C 561	NCB31CK-104X	C CAPACITOR		
	C 562	NEA70JM-226X	E CAPACITOR		
	C 566	NCB31CK-104X	C CAPACITOR		
	C 567	NEA70JM-226X	E CAPACITOR		
	CN101	QGF0501F2-30X	FFC/FPC CONNE	PU	
	CN201	QGF1016F2-15W	CONNECTOR C.M	PU	
	CN202	QGF1016F2-06W	W TO B CONNE	PU	
	CN502	QGB2027L1-26X	B TO B CONNE	SYSTEM	
	CN503	QGB2027L1-26X	B TO B CONNE	SYSTEM	
	D 501	1SR154-400-X	DIODE		
	FW801	QUM123-11DGZ4	PARA RIBON WIRE	TO CN703	
	FW802	QUM125-09DGZ4	PARA RIBON WIRE	TO CN702	
	FW803	QUM123-12Z4Z4	PARA RIBON WIRE	TO FW803	
	IC 1	MM3023DN-X	IC		
	IC101	AN8702FH	IC		
	IC102	MM3022JN-X	IC		
	IC201	MN67706ZY	IC		
	IC202	TC7WT125FU-X	IC(DIGITAL)		
	IC251	BA6664FM-X	LSI		
	IC271	BA5983FM-X	IC		
	IC301	MN103S13BDA	IC		
	IC311	TC7SH08FU-X	IC		
	IC312	TC7SH32FU-X	IC		
	IC321	TC7WH74FU-X	IC		
	IC322	TC74VHC00FT-X	IC		
	IC401	MN102L25GGK1	IC	ATTENTION	
	IC402	K3N5C1000D-J012	IC	ATTENTION	
	IC403	BR93LC66F-X	IC		
	IC501	ZIVA-4.1-PA2	IC		
	IC502	NAX0393-001X	CXO C.M	27MHZ	
	IC503	TC74VHC00FT-X	IC		
	IC504	K4S161622D-TC80	IC		
	IC505	K4S161622D-TC80	IC		
	K 102	NQR0007-002X	FERRITE BEADS		
	K 103	NQR0007-002X	FERRITE BEADS		
	K 201	NQR0007-002X	FERRITE BEADS		
	K 202	NQR0007-002X	FERRITE BEADS		
	K 203	NQR0007-002X	FERRITE BEADS		
	K 301	NQR0007-002X	FERRITE BEADS		
	K 302	NQR0007-002X	FERRITE BEADS		
	K 303	NQR0007-002X	FERRITE BEADS		
	K 401	NQR0007-002X	FERRITE BEADS		
	K 402	NQR0007-002X	FERRITE BEADS		
	K 501	NQR0007-002X	FERRITE BEADS		
	K 502	NQR0007-002X	FERRITE BEADS		
	K 503	NQR0007-002X	FERRITE BEADS		
	K 504	NQR0201-001X	FERRITE BEADS		
	K 505	NQR0269-001X	FERRITE BEADS		
	K 506	NQR0007-002X	FERRITE BEADS		
	K 561	NQR0007-002X	FERRITE BEADS		
	L 1	NQL044K-100X	INDUCTOR		

ATTENTION
Please exchange "IC401" and "IC402" absolutely by the pair.

■ Electrical parts list (DVD Servo control board)

Block No. 02

△	Item	Parts number	Parts name	Remarks	Area
	Q 1	KTC4377/C/-X	POW TRANSISTOR		
	Q 101	KTA1001/Y/-X	TRANSISTOR		
	Q 102	KTA1001/Y/-X	TRANSISTOR		
	R 1	NRSA63J-100X	MG RESISTOR		
	R 101	NRSA63J-103X	MG RESISTOR		
	R 102	NRSA63J-333X	MG RESISTOR		
	R 103	NRSA63J-333X	MG RESISTOR		
	R 104	NRS125J-270X	MG RESISTOR		
	R 105	NRS125J-270X	MG RESISTOR		
	R 106	NRSA63J-2R2X	MG RESISTOR		
	R 107	NRSA63J-2R2X	MG RESISTOR		
	R 108	NRSA63J-183X	MG RESISTOR		
	R 110	NRSA63J-273X	MG RESISTOR		
	R 112	NRSA63J-273X	MG RESISTOR		
	R 113	NRSA63J-682X	MG RESISTOR		
	R 114	NRSA63J-102X	MG RESISTOR		
	R 115	NRVA63D-243X	MG RESISTOR		
	R 116	NRSA63J-683X	MG RESISTOR		
	R 117	NRSA63J-123X	MG RESISTOR		
	R 118	NRSA63J-303X	MG RESISTOR		
	R 121	NRSA63J-0R0X	MG RESISTOR		
	R 122	NRSA63J-0R0X	MG RESISTOR		
	R 123	NRSA63J-0R0X	MG RESISTOR		
	R 124	NRSA63J-0R0X	MG RESISTOR		
	R 125	NQR0265-003X	FERRITE BEADS		
	R 127	NRSA63J-222X	MG RESISTOR		
	R 128	NRSA63J-105X	MG RESISTOR		
	R 129	NRSA63J-105X	MG RESISTOR		
	R 131	NRSA63J-822X	MG RESISTOR		
	R 132	NRSA63J-103X	MG RESISTOR		
	R 147	NRSA63J-0R0X	MG RESISTOR		
	R 152	NRS125J-1R0X	MG RESISTOR		
	R 153	NRS125J-4R7X	MG RESISTOR		
	R 155	NRSA63J-0R0X	MG RESISTOR		
	R 165	NRSA63J-0R0X	MG RESISTOR		
	R 166	NRSA63J-182X	MG RESISTOR		
	R 202	NRSA63J-473X	MG RESISTOR		
	R 203	NRSA63J-473X	MG RESISTOR		
	R 204	NRSA63J-473X	MG RESISTOR		
	R 205	NRSA63J-473X	MG RESISTOR		
	R 206	NRS125J-4R7X	MG RESISTOR		
	R 208	NRSA63J-473X	MG RESISTOR		
	R 209	NRSA63J-123X	MG RESISTOR		
	R 210	NRSA63J-473X	MG RESISTOR		
	R 211	NRSA63J-273X	MG RESISTOR		
	R 212	NRSA63J-273X	MG RESISTOR		
	R 213	NRSA63J-562X	MG RESISTOR		
	R 214	NRSA63J-123X	MG RESISTOR		
	R 215	NRSA63J-105X	MG RESISTOR		
	R 218	NRSA63J-153X	MG RESISTOR		
	R 219	NRSA63J-473X	MG RESISTOR		
	R 220	NRSA63J-473X	MG RESISTOR		
	R 223	NRSA63J-473X	MG RESISTOR		
	R 224	NRSA63J-0R0X	MG RESISTOR		
	R 225	NRSA63J-682X	MG RESISTOR		
	R 226	NRSA63J-123X	MG RESISTOR		
	R 227	NRSA63J-102X	MG RESISTOR		
	R 228	NRSA63J-183X	MG RESISTOR		
	R 229	NRSA63J-273X	MG RESISTOR		
	R 230	NRSA63J-273X	MG RESISTOR		
	R 231	NRSA63J-0R0X	MG RESISTOR		
	R 232	NRSA63J-472X	MG RESISTOR		
	R 233	NRSA63J-472X	MG RESISTOR		
	R 234	NRSA63J-472X	MG RESISTOR		

△	Item	Parts number	Parts name	Remarks	Area
	R 235	NRSA63J-0R0X	MG RESISTOR		
	R 236	NRSA63J-0R0X	MG RESISTOR		
	R 237	NRSA63J-221X	MG RESISTOR		
	R 238	NRSA63J-221X	MG RESISTOR		
	R 239	NRSA63J-221X	MG RESISTOR		
	R 240	NRSA63J-221X	MG RESISTOR		
	R 241	NRSA63J-221X	MG RESISTOR		
	R 242	NRSA63J-102X	MG RESISTOR		
	R 243	NRSA63J-102X	MG RESISTOR		
	R 245	NRSA63J-102X	MG RESISTOR		
	R 246	NRSA63J-102X	MG RESISTOR		
	R 248	NRSA63J-473X	MG RESISTOR		
	R 249	NRSA63J-473X	MG RESISTOR		
	R 250	NRSA63J-473X	MG RESISTOR		
	R 251	NRS125J-1R0X	MG RESISTOR		
	R 252	NRSA63J-3R3X	MG RESISTOR		
	R 254	NRSA63J-203X	MG RESISTOR		
	R 255	NRSA63J-103X	MG RESISTOR		
	R 256	NRSA63J-470X	MG RESISTOR		
	R 257	NRS125J-1R0X	MG RESISTOR		
	R 258	NRSA63J-0R0X	MG RESISTOR		
	R 259	NRSA63J-103X	MG RESISTOR		
	R 271	NRSA63J-470X	MG RESISTOR		
	R 272	NRS125J-1R0X	MG RESISTOR		
	R 273	NRSA63J-0R0X	MG RESISTOR		
	R 274	NRSA63J-103X	MG RESISTOR		
	R 275	NRSA63J-103X	MG RESISTOR		
	R 276	NRSA63J-123X	MG RESISTOR		
	R 277	NRSA63J-123X	MG RESISTOR		
	R 278	NRSA63J-103X	MG RESISTOR		
	R 279	NRSA63J-103X	MG RESISTOR		
	R 280	NRSA63J-242X	MG RESISTOR		
	R 281	NRSA63J-242X	MG RESISTOR		
	R 282	NRSA63J-103X	MG RESISTOR		
	R 283	NRSA63J-103X	MG RESISTOR		
	R 284	NRSA63J-103X	MG RESISTOR		
	R 285	NRSA63J-103X	MG RESISTOR		
	R 286	NRSA63J-912X	MG RESISTOR		
	R 288	NRSA63J-0R0X	MG RESISTOR		
	R 289	NRSA63J-752X	MG RESISTOR		
	R 290	NRSA63J-752X	MG RESISTOR		
	R 291	NRSA63J-682X	MG RESISTOR		
	R 292	NRSA63J-103X	MG RESISTOR		
	R 293	NRSA63J-912X	MG RESISTOR		
	R 301	NRSA63J-473X	MG RESISTOR		
	R 302	NRSA63J-473X	MG RESISTOR		
	R 303	NRSA63J-473X	MG RESISTOR		
	R 304	NRSA63J-473X	MG RESISTOR		
	R 305	NRSA63J-473X	MG RESISTOR		
	R 306	NRSA63J-473X	MG RESISTOR		
	R 307	NRSA63J-473X	MG RESISTOR		
	R 308	NRSA63J-473X	MG RESISTOR		
	R 309	NRSA63J-103X	MG RESISTOR		
	R 310	NRSA63J-102X	MG RESISTOR		
	R 311	NRSA63J-102X	MG RESISTOR		
	R 312	NRSA63J-102X	MG RESISTOR		
	R 316	NRSA63J-105X	MG RESISTOR		
	R 317	NRSA63J-0R0X	MG RESISTOR		
	R 318	NRSA63J-0R0X	MG RESISTOR		
	R 322	NRSA63J-473X	MG RESISTOR		
	R 324	NRSA63J-473X	MG RESISTOR		
	R 328	NRSA63J-473X	MG RESISTOR		
	R 342	NRSA63J-0R0X	MG RESISTOR		
	R 343	NRSA63J-102X	MG RESISTOR		

■ Electrical parts list (DVD Servo control board)

Block No. 02

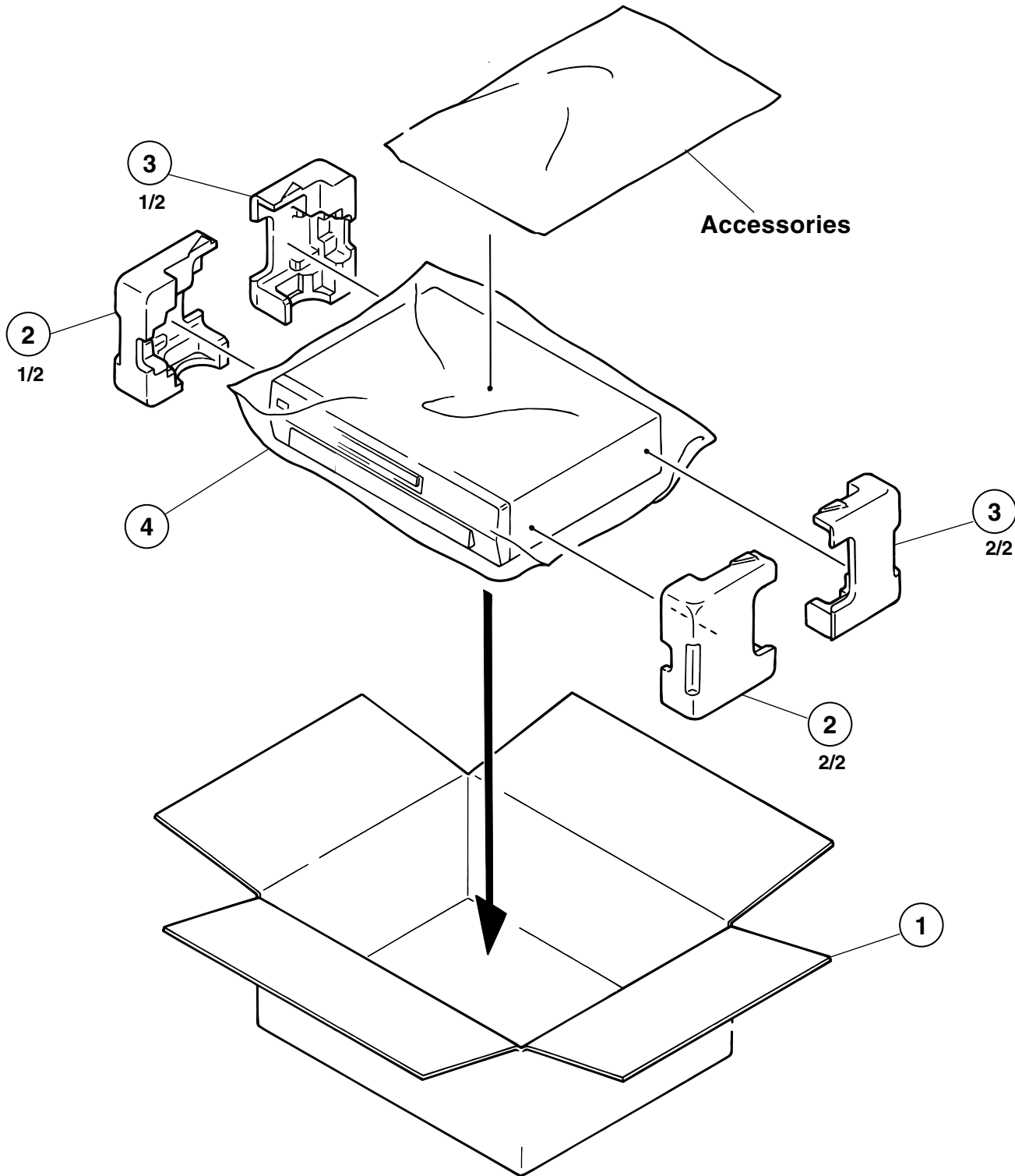
△	Item	Parts number	Parts name	Remarks	Area
	R 345	NRSA63J-562X	MG RESISTOR		
	R 346	NRSA63J-472X	MG RESISTOR		
	R 347	NRSA63J-102X	MG RESISTOR		
	R 348	NRSA63J-102X	MG RESISTOR		
	R 349	NRSA63J-102X	MG RESISTOR		
	R 350	NRSA63J-102X	MG RESISTOR		
	R 364	NRSA63J-0R0X	MG RESISTOR		
	R 403	NRSA63J-472X	MG RESISTOR		
	R 405	NRSA63J-472X	MG RESISTOR		
	R 408	NRSA63J-472X	MG RESISTOR		
	R 411	NRSA63J-472X	MG RESISTOR		
	R 412	NRSA63J-103X	MG RESISTOR		
	R 413	NRSA63J-472X	MG RESISTOR		
	R 414	NRSA63J-472X	MG RESISTOR		
	R 415	NRSA63J-472X	MG RESISTOR		
	R 416	NRSA63J-472X	MG RESISTOR		
	R 417	NRSA63J-472X	MG RESISTOR		
	R 418	NRSA63J-472X	MG RESISTOR		
	R 422	NRSA63J-0R0X	MG RESISTOR		
	R 431	NRSA63J-472X	MG RESISTOR		
	R 432	NRSA63J-472X	MG RESISTOR		
	R 501	NRSA63J-102X	MG RESISTOR		
	R 502	NRSA63J-472X	MG RESISTOR		
	R 504	NRSA63J-330X	MG RESISTOR		
	R 506	NRSA63J-330X	MG RESISTOR		
	R 507	NRSA63J-330X	MG RESISTOR		
	R 508	NRSA63J-330X	MG RESISTOR		
	R 509	NRSA63J-330X	MG RESISTOR		
	R 510	NRSA63J-330X	MG RESISTOR		
	R 511	NRSA63J-330X	MG RESISTOR		
	R 512	NRSA63J-330X	MG RESISTOR		
	R 513	NRSA63J-330X	MG RESISTOR		
	R 514	NRSA63J-330X	MG RESISTOR		
	R 423	NRSA63J-0R0X	MG RESISTOR		*1
	R 424	NRSA63J-0R0X	MG RESISTOR		*1
	R 515	NRSA63J-330X	MG RESISTOR		
	R 516	NRSA63J-330X	MG RESISTOR		
	R 517	NRSA63J-330X	MG RESISTOR		
	R 518	NRSA63J-330X	MG RESISTOR		
	R 519	NRSA63J-330X	MG RESISTOR		
	R 520	NRSA63J-330X	MG RESISTOR		
	R 521	NRSA63J-330X	MG RESISTOR		
	R 522	NRSA63J-330X	MG RESISTOR		
	R 524	NRSA63J-181X	MG RESISTOR		
	R 527	NRSA63J-181X	MG RESISTOR		
	R 528	NRSA63J-102X	MG RESISTOR		
	R 529	NRSA63J-181X	MG RESISTOR		
	R 531	NRSA63J-330X	MG RESISTOR		
	R 532	NRSA63J-102X	MG RESISTOR		
	R 533	NRSA63J-330X	MG RESISTOR		
	R 534	NRSA63J-330X	MG RESISTOR		
	R 535	NRSA63J-330X	MG RESISTOR		
	R 536	NRSA63J-330X	MG RESISTOR		
	R 537	NRSA63J-330X	MG RESISTOR		
	R 538	NRSA63J-330X	MG RESISTOR		
	R 539	NRSA63J-330X	MG RESISTOR		
	R 540	NRSA63J-330X	MG RESISTOR		
	R 541	NRSA63J-0R0X	MG RESISTOR		
	R 542	NRSA63J-0R0X	MG RESISTOR		
	R 543	NRSA63J-0R0X	MG RESISTOR		
	R 545	NRSA63J-472X	MG RESISTOR		
	R 546	NRSA63J-181X	MG RESISTOR		
	R 547	NRSA63J-222X	MG RESISTOR		
	R 548	NRSA63J-332X	MG RESISTOR		

△	Item	Parts number	Parts name	Remarks	Area
	R 549	NRSA63J-0R0X	MG RESISTOR		
	R 551	NQR0007-002X	FERRITE BEADS		
	R 552	NRSA63J-0R0X	MG RESISTOR		
	R 554	NQR0007-002X	FERRITE BEADS		
	R 555	NRSA02J-0R0X	MG RESISTOR		
	R 556	NQR0007-002X	FERRITE BEADS		
	R 557	NQR0007-002X	FERRITE BEADS		
	X 301	NAX0375-001X	CRYSTAL	16.9344MHZ	
	X 401	NAX0331-001X	C RESONATOR		

*1 : except XV-S30BK

Packing materials and accessories parts list

Block No. M4MM
Block No. M5MM



■ Packing list

Block No. M4MM

⚠	Item	Parts number	Parts name	Q'ty	Description	Area
	1	LE30945-001A	PACKING CASE	1		40C,40J
		LE30945-003A	PACKING CASE	1		42C
		LE30945-002A	PACKING CASE	1		30C,30J
		LE30945-004A	PACKING CASE	1		45J
	2	LE20543-001A	PACKING PAD(F)	1		
	3	LE20544-001A	PACKING PAD(R)	1		
	4	QPC06005515P	POLY BAG	1		

■ Accessories list

Block No. M5MM

⚠	Item	Parts number	Parts name	Q'ty	Description	Area
	1	LET0178-003A	INST BOOK	1		30C,40C,42C
		LET0178-002B	INST BOOK	1		30J,40J,45J
⚠	2	QMPE200-183-JC	POWER CORD	1		
	3	BT-51020-2	J=REGIST CARD	1		30J,40J,45J
	4	YU20333	SAFETY INST.	1		30J,40J,45J
	5	QAM0328-001	AV CORD 3P	1		40C,40J,42C,45J
	6	RM-SXVS42A	REMOCON UNIT	1		42C,45J
		RM-SXVS40A	REMOCON UNIT	1		30C,30J,40C,40J
	7	-----	BATTERY	2		
	8	QPC02504015P	POLY BAG	1		
	9	BT-52004-1	WARRANTY CARD	1		30C,40C,42C
	10	BT-20071B	JVC CENTER LIST	1		30C,40C,42C
	11	LE40799-001A	INST SHEET	1		30C,40C,42C

Explanation of area column

30J=XV-S30BK ver.J 30C=XV-S30BK ver.C
 40J=XV-S40BK ver.J 40C=XV-S40BK ver.C
 45J=XV-S45GD ver.J 42C=XV-S42SL ver.C